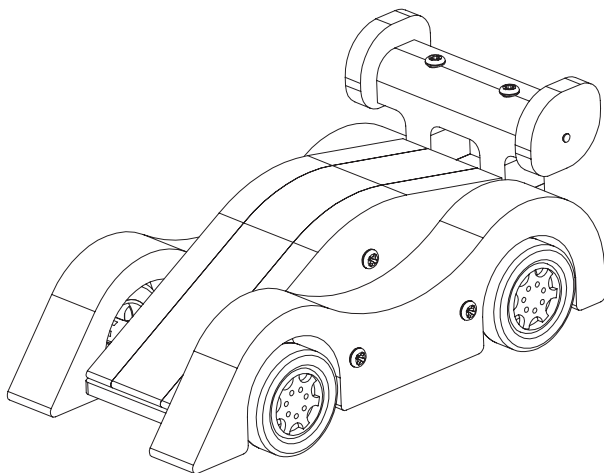


STANLEY[®] Jr.



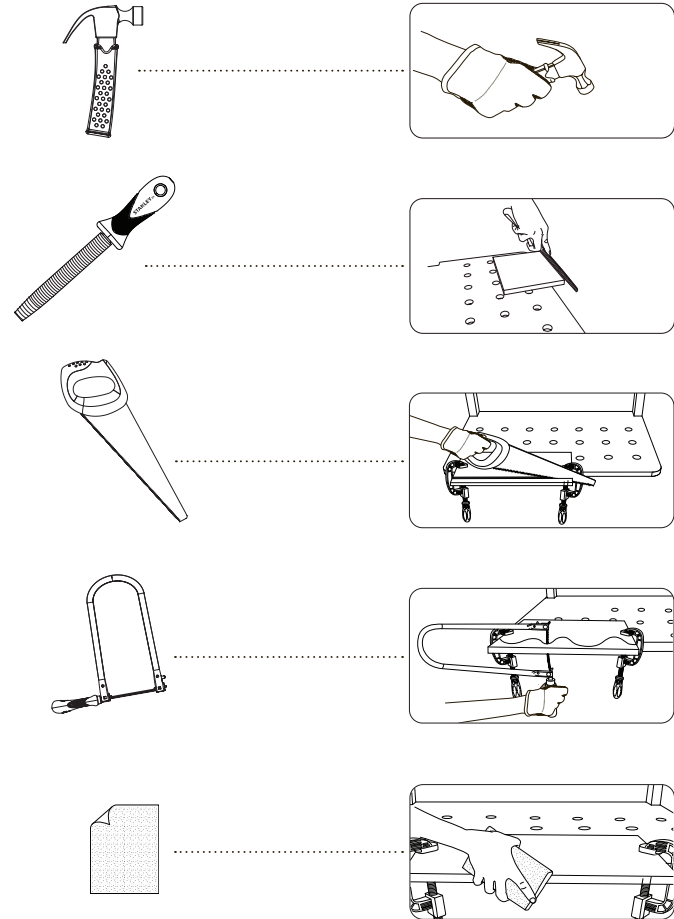
Download our app to enjoy the complete building experience.

Get assembly instructions and additional ideas for extra play with your Stanley Jr kit.

ASSEMBLY INSTRUCTIONS

Pull Back Sports Car Kit

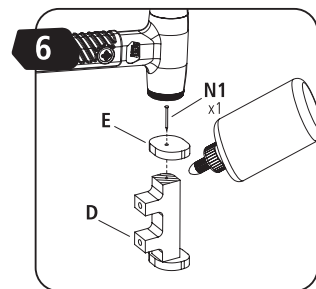
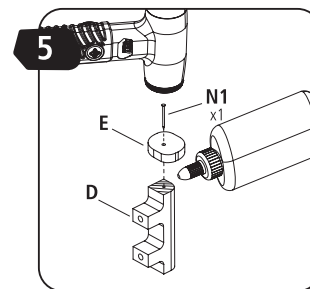
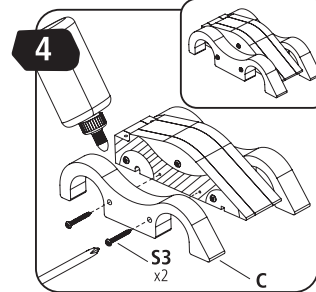
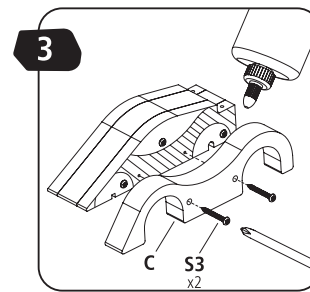
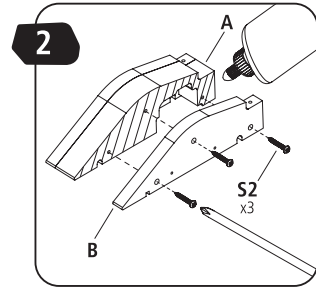
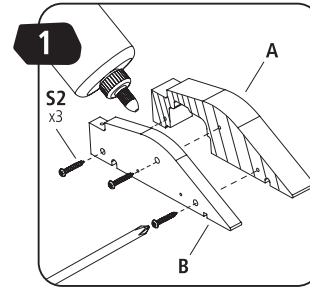
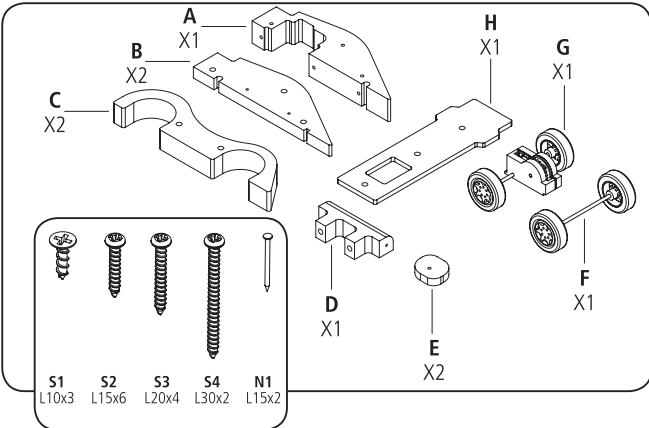
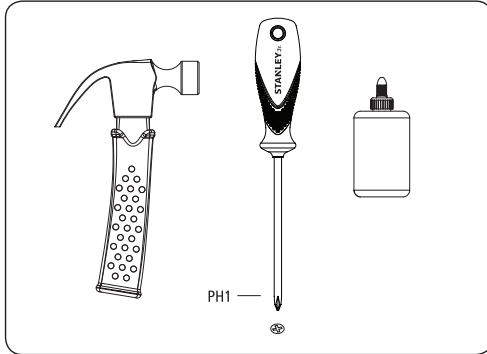
STANLEY Jr.

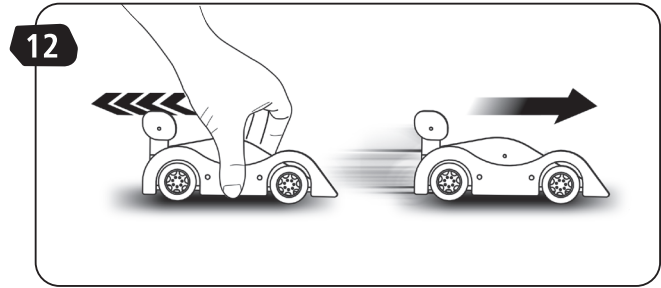
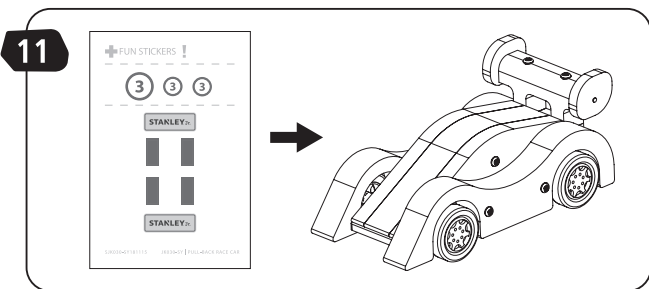
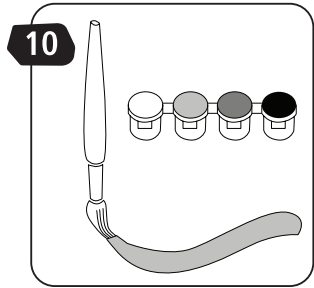
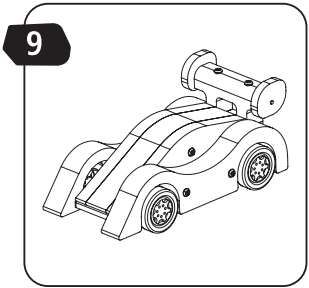
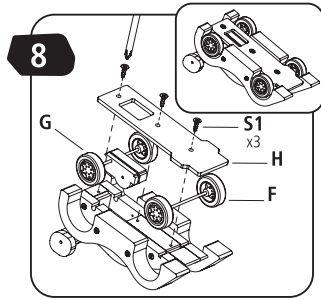
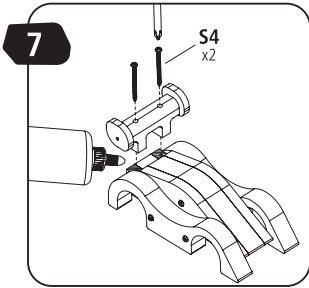


Parental guidance and direct supervision required at all times.

ASSEMBLY INSTRUCTIONS

30min





STANLEY Jr.

©2016 Stanley Black & Decker, Inc.
The STANLEY Jr. and STANLEY Jr. logo are trademarks of
Stanley Black & Decker, Inc. or an affiliate thereof and are
used under license.

Products are manufactured by:

Red Tool Box Ltd.
4th Floor, #1 Building
655-77 Qiming Road
Investment & Business
Incubation Center, Yinzhou, Ningbo
315055, Zhejiang, China